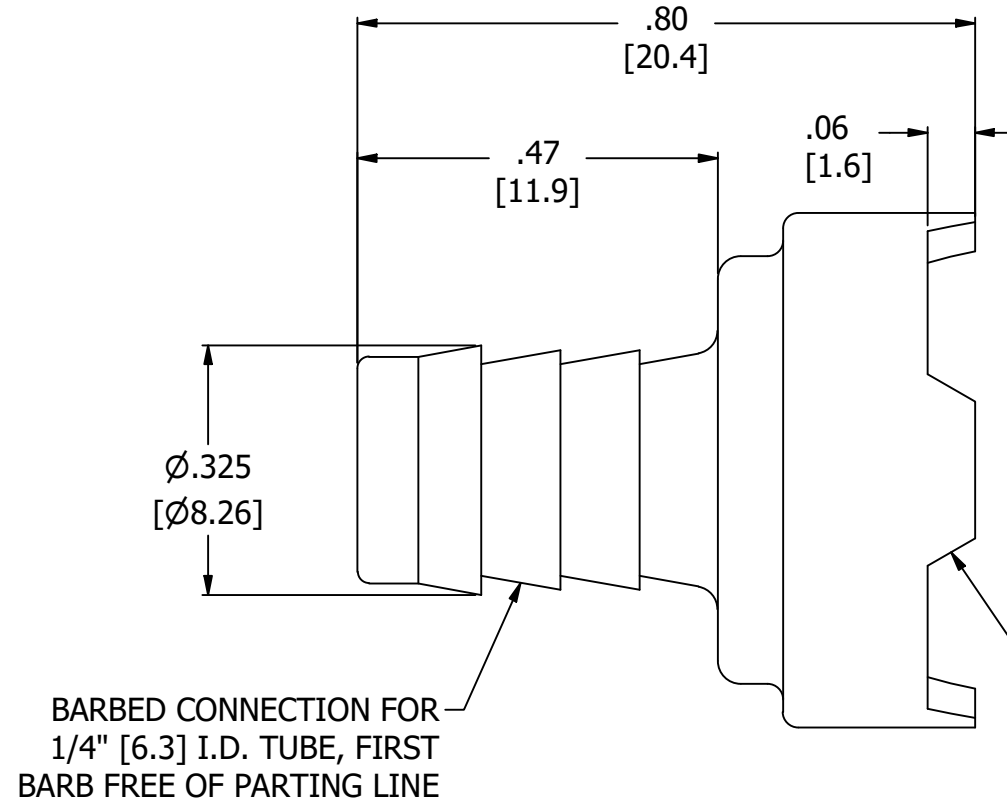
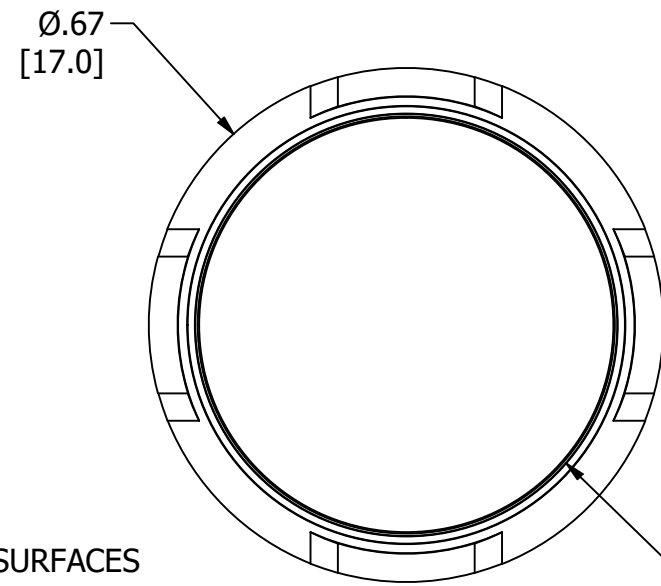


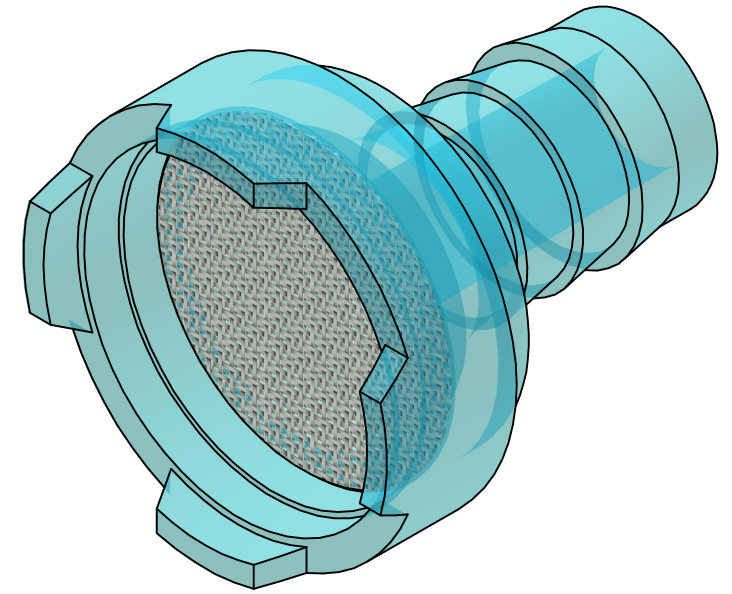
- NOTES:
 1. ALL DIMENSIONS FOR REFERENCE ONLY
 2. TUBE RETENTION PRESSURE SUBJECT TO TUBING DIMENSION AND STIFFNESS



STAND-OFF FROM FLAT SURFACES



FILTERED AREA:
 .228 in²
 [147 mm²]



PRODUCT SPECIFICATIONS

COLOR(S)	OCEAN BLUE, WHITE
FILTER AREA	.228 in ² , 147 mm ²
FILTER SIZE	105 MICRON
MEDIA	GASES, LIQUIDS
TYPICAL TUBE RETENTION PRESSURE	100 PSI. [6.9 BAR], NOTE 2
MINIMUM INNER DIAMETER	$\varnothing.177$, [$\varnothing4.49$]
WETTED MATERIALS	POLYPROPYLENE



AIR-LOGIC @ DIVISION OF KNAPP MFG, INC.
 5102 DOUGLAS AVE RACINE, WI 53402
 PHONE: (262) 639-9035 FAX: (262) 639-5996 WEB: AIR-LOGIC.COM

PART/DRAWING NO.:
F810105B88

DESCRIPTION:
 105 MICRON FILTERED INTAKE, 1/4" BARB

REVISION: A DRAWN: 7/18/2024
 SCALE: 4 : 1 SHEET SIZE: B

TERMS OF USE:
 THIS DRAWING IS FOR INFORMATIONAL PURPOSES ONLY. AIR LOGIC MAKES NO REPRESENTATIONS OF WARRANTIES CONCERNING SUITABILITY FOR ANY PARTICULAR PURPOSE. ALL PRODUCTS SUPPLIED ARE SUBJECT TO TERMS AND CONDITIONS FOUND AT AIR-LOGIC.COM

DRAWING TAKES PRECEDENCE OVER 3D MODEL GEOMETRY
 TOLERANCE: DECIMALS .00 ± .01, .000 ± .005, FRACTIONS ± 1/64
 ANGLES 1/4° UNLESS OTHERWISE SPECIFIED
 UNITS: INCHES [MILLIMETERS]